

Technical data sheet

Dosing pump DSP 9805-II

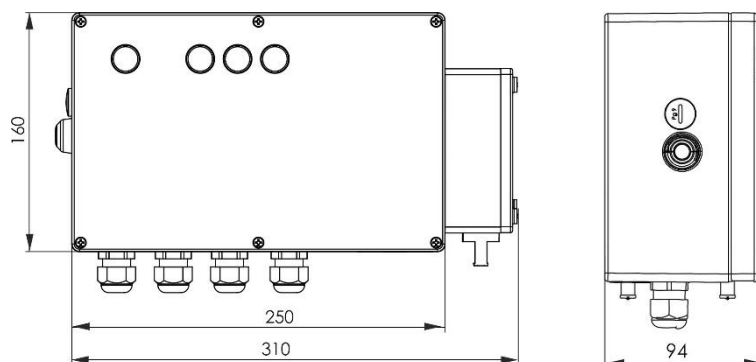
The powerful DSP 9805-II dosing pump doses electrically conductive media (e.g. liquid cleaning agents).

This pump is used for washing systems with high water consumption.



Performance data	Flow rate:	0 ... 833 ml/min
	Duty cycle:	50%
	Max. Pressure:	0,5 bar
	Suction height:	1,8 m
Configuration	On the device:	Jumper and Potentiometer
Electrical data	Operating voltage:	230 V AC
	Frequency:	50 / 60 Hz
	Input power:	50 VA
	Conductivity measurement:	conductive
	Protection class:	IP 65
Mechanical data	Dimensions:	310 x 187 x 94 mm
	Weight:	3,1 kg
	Connection hose (inØ/outØ):	6/- mm
Ambient conditions	Ambient temperature range:	+10 ... +45 °C
	Environmental stress:	Conforms to DIN EN 60068-2-38

Dimensions



Products

Pump

Art. no.	Designation
10087	Dosing pump DSP 9805-II