

# Technical data sheet

## Concept 2105-3

Universal peristaltic dosing pump with built-in GLC speed regulation. Wide range of settings and control functions.

The pump can be operated in standalone mode or via dosing systems that have their own intelligent control systems.

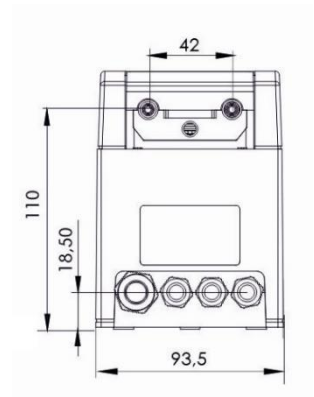
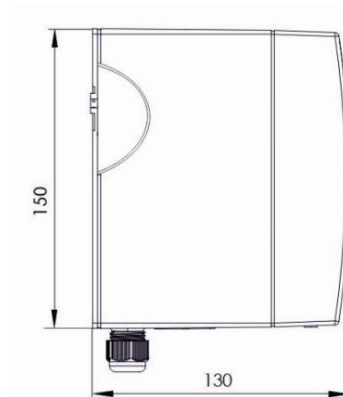
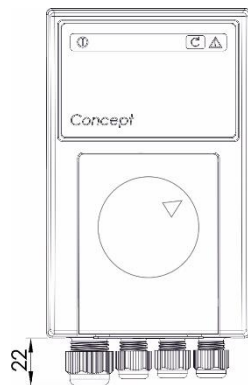


<b>Performance data</b>	Maximum flow rate:	250 ml/min PS 136-6.4x2.4 PH, 0.5 bar max.
	Min. flow rate:	0.08 ml/min PS 138-0.8x1.6 PH, 3.7 bar max.
	Duty cycle < 1/3 speed:	100% / h
	Duty cycle > 1/3 speed:	50% / h
<b>Electrical data</b>	Operating voltage:	230 V AC $\pm 10\%$
	Frequency:	50-60 Hz
	Input power:	20 VA
	Input current:	80 mA
	Protection class:	IP 65
	Frequency pulse operation $f_{\text{pulse}}$ :	10 Hz
	Minimum duration $t_{\text{min}}$ pulse control at control input:	400 ms
<b>Mechanical data</b>	Dimensions:	93.5 x 150 x 130 mm
	Weight:	Approx. 1.2 kg
<b>Ambient conditions</b>	Ambient temperature range:	+10 ... +50 °C
	Environmental stress:	Conforms to DIN EN 60068-2-38

## Configuration

Device:	Buttons on device
Dosing control:	<ul style="list-style-type: none"> <li>One speed</li> <li>One speed with container empty signal</li> <li>Two fixed speeds</li> <li>Two runtimes, status controlled</li> <li>Two runtimes, pulse controlled</li> <li>Two runtimes, pulse controlled, with filling function</li> <li>One runtime with speed 1-25%, status controlled</li> <li>One runtime with speed 1-25%, pulse controlled</li> <li>One runtime with speed 1-25%, pulse controlled, with filling function</li> <li>One runtime, one speed 1-25%, status controlled</li> <li>One runtime, one speed 1-25%, pulse controlled</li> <li>One runtime and one speed 1-25%, pulse controlled, with filling function</li> <li>Interval, runtime/pause</li> <li>Proportional dosing with flow meter</li> <li>Proportional dosing with frequency signal</li> <li>Conductivity control with ILFS 02 / ILFD 02</li> <li>Client device in a dosing system</li> </ul>

## Dimensions



## Products

### Pump

Art. no.	Designation
98235	Concept 2105-3

### Usable pump tubes

Art. no.	Pump tube	Operating pressure	Recommended flow rate*
43201	PS 136-4.8x2.4 PH	2.0 bar	2.0 ... 150 ml/min
43073	PS 136-6.4x2.4 PH	0.5 bar	3 ... 250 ml/min
43048	PS 138-3.2x1.6 PH	2.0 bar	0.83 ... 66 ml/min
43046	PS 138 1.6x1.6 PH	3.0 bar	0.25 ... 16 ml/min
43215	PS 138-0.8x1.6 PH	3.7 bar	0.08 ... 4 ml/min

\* Duty cycle 50%/h at more than 1/3 of maximum flow rate based on the respective pump tube