

Technical data sheet

Inductive conductivity sensor ILFD 03

Inductive conductivity sensor for measuring the conductivity and temperature of liquids in pipes.

The following versions are available:

- Open collector (frequency mode)
- Open collector (data mode)
- Modbus interface



Performance data	Measurement range:	0.2 ... 150 mS/cm
	Measurement error:	0.2 ... 1 mS/cm (+20%/-10%)
		1 ... 150 mS/cm (±5%) mS/cm
	Resolution:	0.2 ... 2 mS/cm (3% of measured value)
		2 ... 150 mS/cm (< 1% of measured value)
	Reproducibility:	0.2 ... 2 mS/cm (> 99% of measured value)
		2 ... 150 mS/cm (> 97% of measured value)
	Frequency range:	0.44 ... 12.24 kHz (in frequency mode)
	Operating pressure:	3 bar
Calibration:	Not required by the customer (factory calibration)	
Sensor type:	Active (with integrated evaluation electronics)	
Electrical data	Supply voltage:	5 ... 24 V DC
	Max. input current:	15 mA
Mechanical data	Dimensions:	87 x 62.5 x 81 mm
	Weight:	150 g
	Protection class:	IP 65
	Material:	Polypropylene

Mechanical data

Maximum cable length:

Frequency mode 20 m

Data mode 100 m

Pipe connection:

3/4"

Ambient conditions

Ambient temperature range:

+5 ... +55 °C

Temperature range of medium:

+10 ... +60 °C

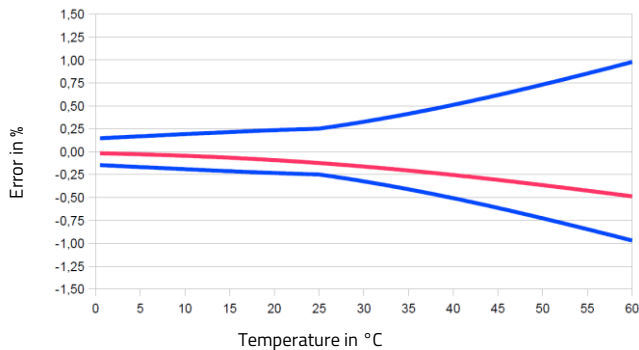
Environmental stress:

Conforms to DIN EN 60068-2-38

Compatibility:

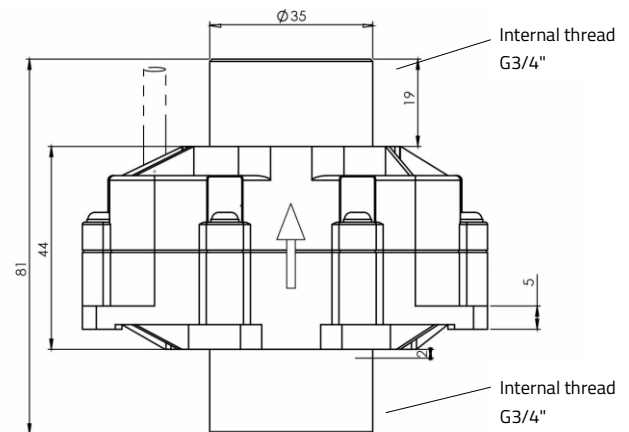
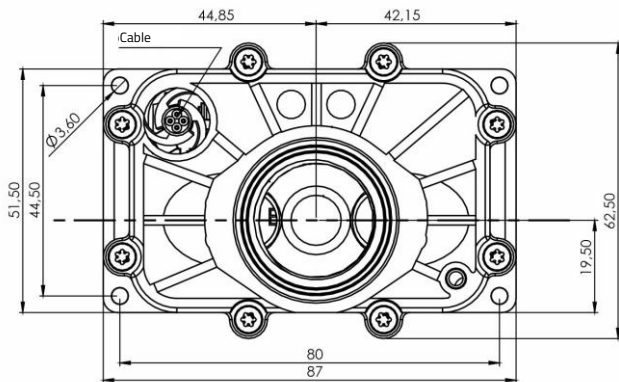
Low-concentration acids, alkalis and chlorine products

Characteristic curve, temperature measurement error range



Blue line: Max. possible error
Red line: Typical error curve

Dimensions



Products

Art. no.	Designation
1002732	ILFD 03 Modbus with 0.7m cable (moulded on)
1002834	ILFD 03 open collector (data mode) with 0.7m cable (moulded on)
1002834	ILFD03 open collector (frequency mode) with 0.7m cable (moulded on) after reprogramming with ILFS monitor

Accessories

1003143	Adapter set 3/4 to 3/8 PVC grey
1003142	Adapter set 3/4 to 1/4 PVC grey
1003144	Adapter set 3/4 to 1/2 PVC grey